



DIN 7999 Hex Bolt

Leader-Fastener is a manufacturer and distributor of **DIN 7999 Hex Bolt**. We have a complete line of service from having invested in production plants, export department and to having a quality control team and center to meet your requirements. We regard quality as the life of the company. We persist in good quality as the first policy and have established a set of quality control and inspection system according to the international standard. We have carried out ISO9001 Quality Guarantee System in every course of production, transportation and selling. We do hope we could be your partner in business by topping quality, knight service and competitive price in the near

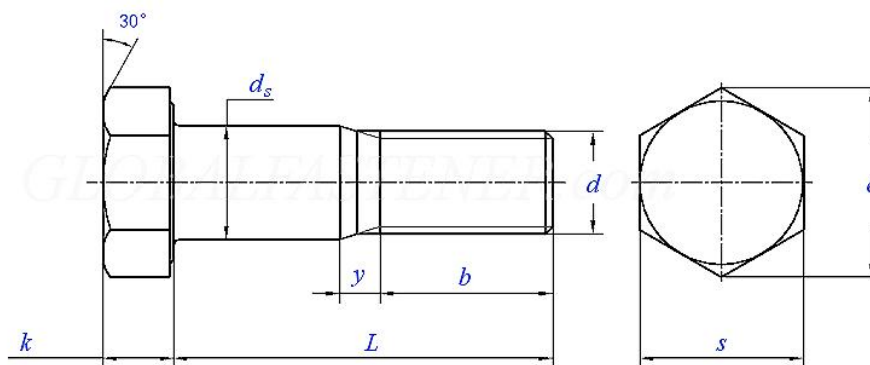
future and be your friends as well.

DIN 7999 - High Tensile Strength Hexagon Fit Bolts For Structural Bolting

Heavy Hex Structural bolts are designed for high-strength steel to steel structural connections. Dimensionally, hex structural bolts are covered by the ASME B18.2.6 standard, and the material specifications are now covered by ASTM F3125 which replaced ASTM A325 and A490. In metric use, structural bolts are covered by DIN 6914, DIN EN 14399-4, ISO 7412 and material Classes 8.8 and 10.9.

Structural bolts have a high strength steel and are used in structural steelwork with high strength nuts and hardened steel washers. When they are tightened to a given minimum shank tension they are often abbreviated to HSFG (high strength friction grip) bolts. These bolts are usually short and have a heavy, large head, which helps to distribute load effectively. The head of the heavy hex structural bolt is specified to be the same size as the heavy hex nut of the same nominal diameter, allowing the bolt head and nut to be accessed with the same size wrench or socket.

DIN 7999 - 1983 High Strength Hexagon Fit Bolts With Large Width Across Flats For Structural Steel Bolting



Screw Thread		M12	M16	M20	M22	M24	M27	M30
d								
P	Pitch	1.75	2	2.5	2.5	3	3	3.5
d _s	Nominal Size	13	17	21	23	25	28	31
	max	12.85	16.85	20.84	22.84	24.84	27.84	30.83
	min	12.74	16.74	20.71	22.71	24.71	27.71	30.67
b		18.5	22	26	28	29.5	32.5	35
e	min	22.78	29.56	37.29	39.55	45.2	50.85	55.37
k		8	10	13	14	15	17	19
s		21	27	34	36	41	46	50
y	max	6.5	7.5	8.5	8.5	10	10	11.5
Weight of per 1000 steel products(≈kg)		-	-	-	-	-	-	-