



DIN 787 T Bolts

Leader-Fastener is a manufacturer and distributor of **DIN 787 T Bolts** . We have a complete line of service from having invested in production plants, export department and to having a quality control team and center to meet your requirements. We regard quality as the life of the company. We persist in good quality as the first policy and have established a set of quality control and inspection system according to the international standard. We have carried out ISO9001 Quality Guarantee System in every course of production, transportation and selling. We do hope we could be your partner in business by topping quality, knight service and competitive price in the near future

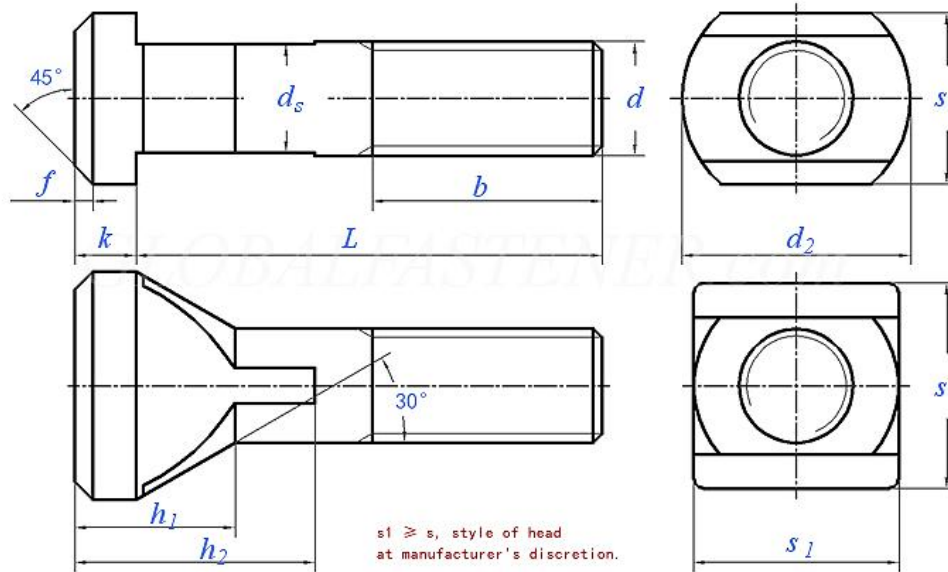
and be your friends as well.

DIN 787 Tee Head Bolt, T-Head Bolt for machine tool table slot

T-Head Bolts, also known as Hammer Head Bolts, T-Slot Bolts and Tank Strap Bolts, have either a Tee or square shaped head. Normally they are installed into a hole with a tee shaped slot so that the head of the bolt can sit flush, and the shape of the bolt resists turning while tightening.

T-slot bolts, as the name suggests, are bolts used in conjunction with T-slots, also known as T-bolts. T-bolts, called hammer bolts in European standards, are made of carbon steel and stainless steel. It can be directly put into the aluminum profile groove, and it can be automatically positioned and locked during the installation process. It is often used in conjunction with the flange nut. It is a standard matching connector when installing corner fittings. It can be customized according to the profile groove width and different series of profiles. Choose to use. T-bolts are movable anchor bolts and are tools that can be used with nuts. It has extremely important uses. It can not only be used as a connection button for certain pipes, but also plays an important role in the installation and connection of certain instruments, and also has extremely important applications in industry. T-bolts are typically used for nuts that mate with T-slots. General Finish: Zinc-plated or nickel-plated or blackened.

DIN 787 - 2005 Bolts and Screws for T-slots



Thread Size	M5	M5	M6	M6	M6	M8	M8	M8	M10	M10	M10	M12	M12	M12	M12	
d	5×2 5	5×4 0	6×2 5	6×4 0	6×6 3	8×3 2	8×5 0	8×8 0	10× 40	10× 63	10×1 00	12× 50	12× 80	12×1 25	12×2 00	
d _s	Nominal Size	5	5	6	6	6	8	8	8	10	10	10	12	12	12	12
	max	4.7	4.7	5.7	5.7	5.7	7.7	7.7	7.7	9.7	9.7	9.7	11.7	11.7	11.7	11.7
	min	4.5	4.5	5.5	5.5	5.5	7.5	7.5	7.5	9.5	9.5	9.5	11.4	11.4	11.4	11.4
L	25	40	25	40	63	32	50	80	40	63	100	50	80	125	200	
b	18	30	15	28	40	22	35	50	30	45	60	35	55	75	120	
d ₂	10	10	12	12	12	16	16	16	20	20	20	25	25	25	25	
s	max=nominal size	9	9	10	10	10	13	13	13	15	15	15	18	18	18	18
	min	8.5	8.5	9.5	9.5	9.5	12.5	12.5	12.5	14.5	14.5	14.5	17.5	17.5	17.5	17.5
f	1	1	1.6	1.6	1.6	1.6	1.6	1.6	1.6	1.6	1.6	2.5	2.5	2.5	2.5	
h ₁	6.5	6.5	8	8	8	12	12	12	14	14	14	16	16	16	16	
h ₂	10	10	13	13	13	18	18	18	21	21	21	25	25	25	25	
k	max=nominal size	3	3	4	4	4	6	6	6	6	6	7	7	7	7	
	min	2.7	2.7	3.5	3.5	3.5	5.5	5.5	5.5	5.5	5.5	6.5	6.5	6.5	6.5	
per 1000 units≈kg	5	6	10	15	18	20	30	40	40	48	70	60	90	120	190	
T-slots	DIN 650	5	5	6	6	6	8	8	8	10	10	10	12	12	12	12

Thread Size		M12	M12	M12	M12	M16	M16	M16	M16	M20	M20	M20	M20	M24	M24	M24
d		14×50	14×80	14×125	14×200	18×63	18×100	18×160	18×250	22×80	22×315	22×200	22×125	28×100	28×250	28×160
d _s	Nominal Size	14	14	14	14	18	18	18	18	22	22	22	22	28	28	28
	max	13.7	13.7	13.7	13.7	17.7	17.7	17.7	17.7	21.7	21.7	21.7	21.7	27.7	27.7	27.7
	min	13.4	13.4	13.4	13.4	17.4	17.4	17.4	17.4	21.4	21.4	21.4	21.4	27.4	27.4	27.4
L		50	80	125	200	63	100	160	250	80	315	200	125	100	250	160
b		35	55	75	120	45	63	100	150	55	190	125	85	70	150	110
d ₂		28	28	28	28	36	36	36	36	45	45	45	45	56	56	56
s	max=nominal size	22	22	22	22	28	28	28	28	35	35	35	35	44	44	44
	min	21.5	21.5	21.5	21.5	27.5	27.5	27.5	27.5	34.5	34.5	34.5	34.5	43	43	43
f		2.5	2.5	2.5	2.5	2.5	2.5	2.5	2.5	2.5	2.5	2.5	2.5	4	4	4
h ₁		20	20	20	20	24	24	24	24	32	32	32	32	41	41	41
k	max=nominal size	8	8	8	8	10	10	10	10	14	14	14	14	18	18	18
	min	7.5	7.5	7.5	7.5	9.5	9.5	9.5	9.5	13.5	13.5	13.5	13.5	17	17	17
per 1000 units≈kg		75	100	140	200	135	220	300	430	340	810	610	440	660	1130	850
T-slots	DIN 650	14	14	14	14	18	18	18	18	22	22	22	22	28	28	28

Thread Size		M24	M30	M30	M30	M30	M36	M36	M36	M42	M42	M42	M48	M48	M48	
d		28×15	36×25	36×15	36×30	36×20	36×50	42×60	42×100	42×50	48×60	48×50	48×100	54×15	54×30	54×50
d _s	Nominal Size	28	36	36	36	36	42	42	42	48	48	48	54	54	54	
	max	27.7	35.6	35.6	35.6	35.6	41.6	41.6	41.6	47.6	47.6	47.6	53.6	53.6	53.6	
	min	27.4	35.3	35.3	35.3	35.3	41.3	41.3	41.3	47.3	47.3	47.3	53.2	53.2	53.2	
L		315	125	315	200	500	160	400	250	160	250	400	200	315	500	
b		240	80	200	135	300	100	250	175	100	175	250	130	220	300	
d ₂		56	70	70	70	70	82	82	82	95	95	95	110	110	110	
s	max=nominal size	44	54	54	54	54	65	65	65	75	75	75	85	85	85	

	minimal size														
	min	43	53	53	53	53	64	64	64	74	74	74	84	84	84
f		4	6	6	6	6	6	6	6	6	6	6	6	6	6
h ₁		41	50	50	50	50	60	60	60	70	70	70	80	80	80
k	max=nominal size	18	22	22	22	22	26	26	26	30	30	30	34	34	34
	min	17	21	21	21	21	25	25	25	29	29	29	33	33	33
per 1000 units≈kg		1200	1330	2270	2000	3300	2400	4100	3000	3400	4300	5800	4000	5300	9200
T-slots	DIN 650	28	36	36	36	36	42	42	42	48	48	48	54	54	54

Material:

Steel, property class: 8.8, 12.9 as specified in DIN EN ISO 898-1