



DIN 6923 Flange Nuts

Leader-Fastener is a manufacturer and distributor of **DIN 6923 Flange Nuts**. We have a complete line of service from having invested in production plants, export department and to having a quality control team and center to meet your requirements. We regard quality as the life of the company. We persist in good quality as the first policy and have established a set of quality control and inspection system according to the international standard. We have carried out ISO9001 Quality Guarantee System in every course of production, transportation and selling. We do hope we could be your partner in business by topping quality, knight

service and competitive price in the near future and be your friends as well.

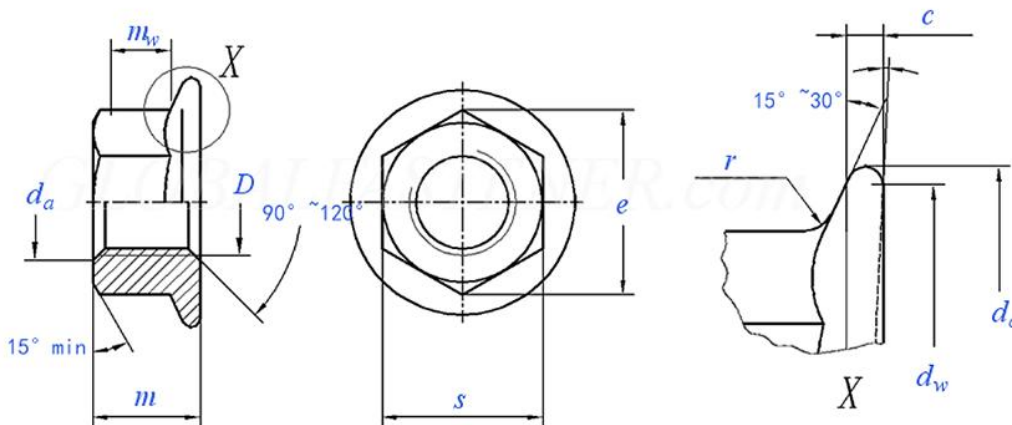
Metric **DIN 6923 Hexagon Flange Nuts** have a circular washer like flange shaped base that increases the weight bearing surface area to distribute the load over a greater area when tightened. The flange eliminates the need to use a washer with the nut. DIN 6923 Flange Nuts are available with or without serrations. The serrations function to act as a locking mechanism to reduce loosening due to vibrational forces.

Product Specification of DIN 6923 Flange Nuts

Material : Carbon steel, Stainless steel, Alloy Steel, Brass.

Finishment: Black, Zinc Plated, Zinc Yellow, HDG, Phosphate, DACROMET, Geomet, Magin, Ruspert, Teflon, etc.

DIN 6923 - 1983 Hexagon Nuts With Flange



Thread Size	M5	M6	M8	M10	M12	M14	M16	M20
D								

P	Pitch	Coarse thread	0.8	1	1.25	1.5	1.75	2	2	2.5
		Fine thread 1	/	/	1	1.25	1.5	1.5	1.5	1.5
		Fine thread 2	/	/	/	-1	-1.25	/	/	/
c	min		1	1.1	1.2	1.5	1.8	2.1	2.4	3
d _a	min		5	6	8	10	12	14	16	20
	max		5.75	6.75	8.75	10.8	13	15.1	17.3	21.6
d _c	max		11.8	14.2	17.9	21.8	26	29.9	34.5	42.8
d _w	min		9.8	12.2	15.8	19.6	23.8	27.6	31.9	39.9
e	min		8.79	11.05	14.38	16.64	20.03	23.36	26.75	32.95
m	max		5	6	8	10	12	14	16	20
	min		4.7	5.7	7.6	9.6	11.6	13.3	15.3	18.9
m _w	min		2.2	3.1	4.5	5.5	6.7	7.8	9	11.1
s	max=nominal size		8	10	13	15	18	21	24	30
	min		7.78	9.78	12.73	14.73	17.73	20.67	23.67	29.67
r	max		0.3	0.36	0.48	0.6	0.72	0.88	0.96	1.2

Material:

- a)Steel, Strength class (material): 8,10,12 Standard DIN ISO 898-2, DIN 267-23 (currently draft)
- b)Stainless steel, Strength class (material): A2-70 Standard DIN 267-11
- c)Other strength classes or materials by agreement