



ASME B18.2.4.6M Hex Nut

Leader-Fastener is a manufacturer and distributor of **ASME B18.2.4.6M Hex Nut**. We have a complete line of service from having invested in production plants, export department and to having a quality control team and center to meet your requirements. We regard quality as the life of the company. We persist in good quality as the first policy and have established a set of quality control and inspection system according to the international standard. We have carried out ISO9001 Quality Guarantee System in every course of production, transportation and selling. We do hope we could be your partner in business by

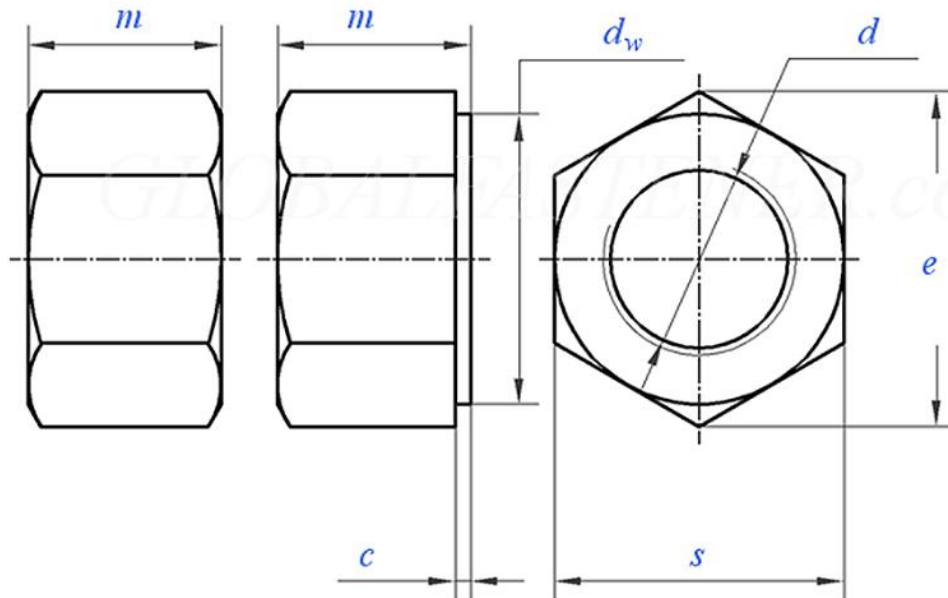
topping quality, knight service and competitive price in the near future and be your friends as well.

ASME B18.2.4.6M Hex Nut are available in a variety of width across flat, materials, shape, thickness, bearing surface, tolerance, thread, size, design, finishing and many other specifications. Various **ASME B18.2.4.6M Hex Nut** used for different applications and projects. This American standard of Hex Nuts also used for light to medium-duty application.

Product Specification of ASME B18.2.4.6M Hex Nut

Material : Carbon steel, Stainless steel, Alloy Steel, Brass.

Finishment: Black, Zinc Plated, Zinc Yellow, HDG, Phosphate, DACROMET, Geomet, Magin, Ruspert, Teflon, etc.

ASME B 18.2.4.6M - 2010 Metric Heavy Hex Nuts


Thread Size		M12	M14	M16	M20	M22	M24	M27	M30	M36
D										
P	Pitch	1.75	2	2	2.5	2.5	3	3	3.5	4
s	max	21.00	24.00	27.00	34.00	36.00	41.00	46.00	50.00	60.00
	min	20.16	23.16	26.16	33.00	35.00	40.00	45.00	49.00	58.80
e	max	24.25	27.71	31.18	39.26	41.57	47.34	53.12	57.74	69.28
	min	22.78	26.17	29.56	37.29	39.55	45.2	50.85	55.37	66.44
m	max	12.3	14.3	17.1	20.7	23.6	24.2	27.5	30.7	36.6
	min	11.9	13.6	16.4	19.4	22.3	22.9	26.3	29.1	35
c	max	0.8	0.8	0.8	0.8	0.8	0.8	0.8	0.8	0.8
	min	0.4	0.4	0.4	0.4	0.4	0.4	0.4	0.4	0.4
d_w	min	19.2	22.0	24.9	31.4	33.3	38.0	42.8	45.6	55.9

Thread Size		M42	M48	M56	M64	M72	M80	M90	M100
D									
P	Pitch	4.5	5	5.5	6	6	6	6	6
s	max	70.00	80.00	90.00	100.00	110.00	120.00	135.00	150.00
	min	67.90	77.60	87.20	96.80	106.40	116.00	130.50	145.00
e	max	80.83	92.38	103.92	115.47	127.02	138.56	155.88	173.21
	min	77.41	88.46	99.41	110.35	121.3	132.24	148.77	165.3

m	max	42	48	56	64	72	80	90	100
	min	40.4	46.4	54.1	62.1	70.1	78.1	87.8	97.8
c	max	1	1	1	1	1.2	1.2	1.2	1.2
	min	0.5	0.5	0.5	0.5	0.6	0.6	0.6	0.6
d _w	min	64.5	73.7	82.8	92.0	101.1	110.2	124.0	137.8