



ASME B18.2.4.3M Castle Nut

Leader-Fastener is a manufacturer and distributor of **ASME B18.2.4.3M Castle Nut**. We have a complete line of service from having invested in production plants, export department and to having a quality control team and center to meet your requirements. We regard quality as the life of the company. We persist in good quality as the first policy and have established a set of quality control and inspection system according to the international standard. We have carried out ISO9001 Quality Guarantee System in every course of production, transportation and selling. We do hope we could be your partner in business by topping quality, knight service and competitive

price in the near future and be your friends as well.

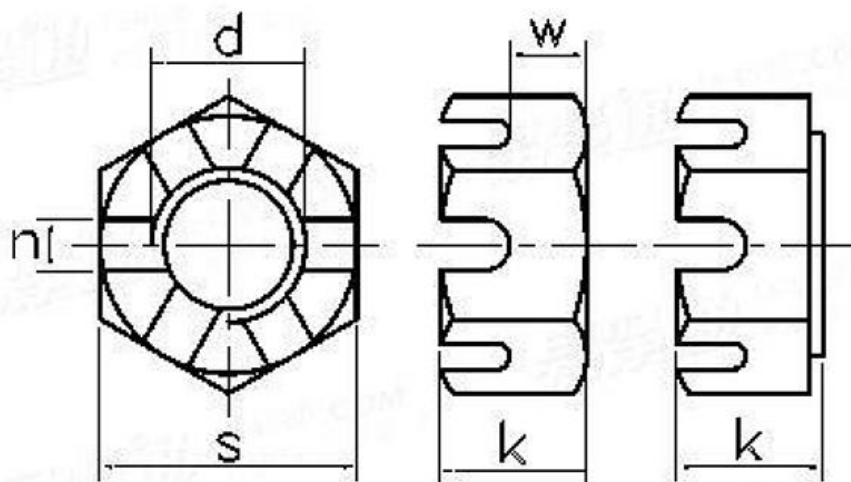
ASME B18.2.4.3M Castle Nut, their structural uniqueness allows them to be used in mechanical and automotive applications where positive locking is required, like holding a wheel bearing in place. It is also used as a safety nut for other component designing applications. These screws are characterised by the protrusions extending from their bodies, which make it look like a castle's top - hence the name castle nuts.

Product Specification of ASME B18.2.4.3M Castle Nut

Material : Carbon steel, Stainless steel, Alloy Steel, Brass.

Finishment: Black, Zinc Plated, Zinc Yellow, HDG, Phosphate, DACROMET, Geomet, Magin, Ruspert, Teflon, etc.

ANSI/ASME B 18.2.4.3M - 1979 Metric slotted hex nuts



d	p	s		k		n		w	
		max	min	max	min	max	min	max	min
M5	0.8	8.00	7.78	5.10	4.80	2.0	1.4	3.2	2.9
M6	1	10.00	9.78	5.70	5.40	2.4	1.8	3.5	3.2
M8	1.25	13.00	12.73	7.50	7.14	2.9	2.3	4.4	4.1
M10	1.5	16.00	15.73	9.30	8.94	3.4	2.8	5.2	4.9
M10	1.5	15.00	14.73	10.0	9.60	3.4	2.8	5.7	5.4
M12	1.75	18.00	17.73	12.00	11.57	4.0	3.2	7.3	6.9
M14	2	21.00	20.67	14.10	13.40	4.3	3.5	8.6	8
M16	2	24.00	23.67	16.40	15.70	5.3	4.5	9.9	9.3
M20	2.5	30.00	29.16	20.30	19.00	5.7	4.5	13.3	12.2
M24	3	36.00	35.00	23.90	22.60	6.7	5.5	15.4	14.3
M30	3.5	46.00	45.00	28.60	27.30	8.5	7.0	18.1	16.8
M36	4	55.00	53.80	34.70	33.10	8.5	7.0	23.7	22.4